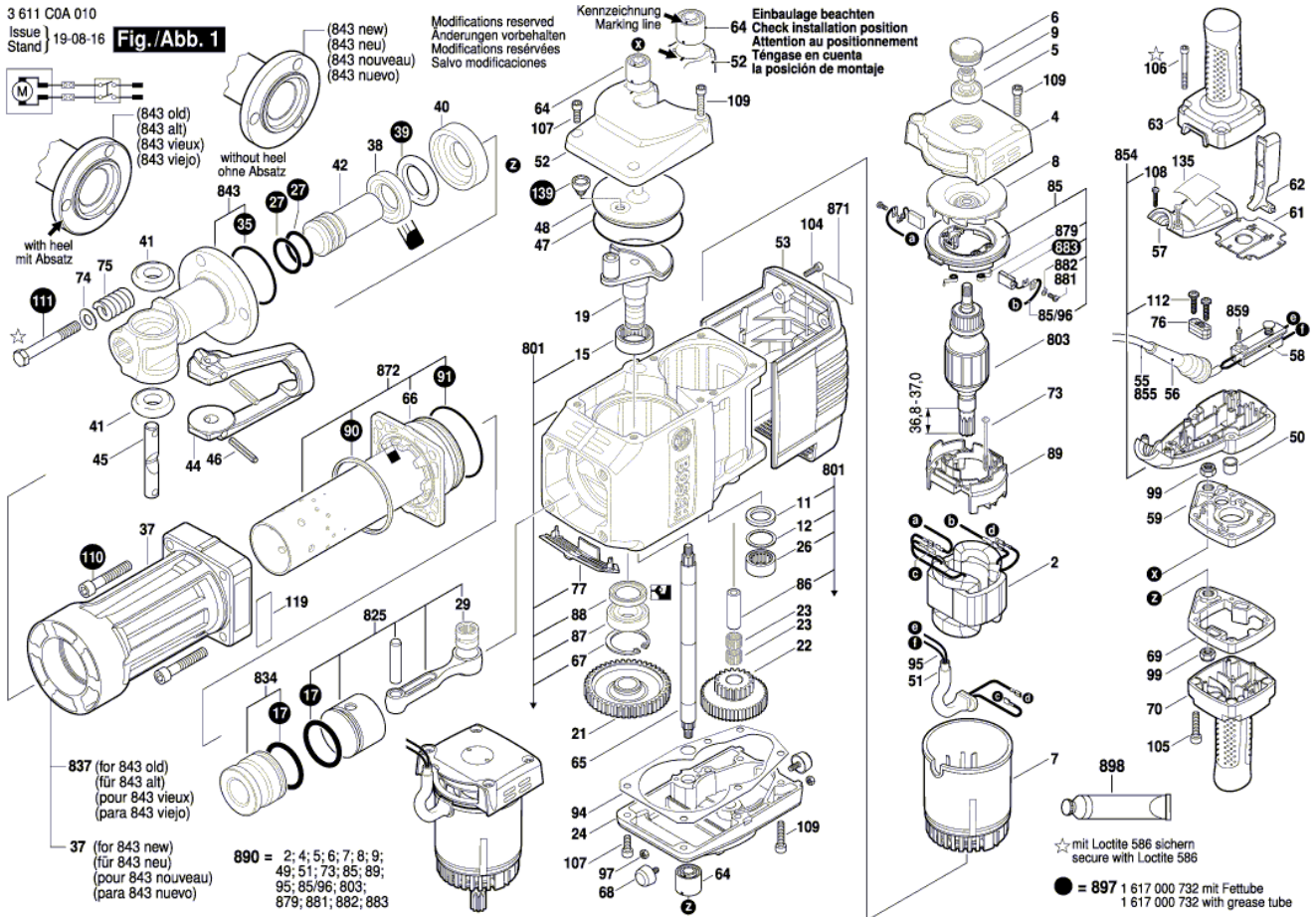




3 611 C0A 010  
Issue  
Stand } 19-08-16

**Fig./Abb. 1**





Pos.	Part Number	Description	Pos.	Part Number	Description
2	1 604 220 52S	Field	87	1 610 900 027	groove ball bearing
4	1 615 805 076	Bearing cover	88	1 610 283 016	Rotary shaft lip seal
5	1 610 900 015	groove ball bearing	89	1 610 009 008	Spacer
6	1 615 500 214	Screw Plug	90	1 611 015 061	Rectangular Ring
7	1 615 108 104	Insulating Housing	91	1 610 210 212	O-Ring
8	1 616 610 091	Fan	94	1 611 015 021	Sealing Plate
9	1 613 313 000	Hex Nut	95	1 614 413 009	Wiring Harness
11	1 610 108 013	Felt Washer	97	2 915 011 007	Hex Nut
12	1 610 102 616	Supporting Disc	99	3 613 313 500	Hex Nut
15	1 610 910 091	Needle-Roller Bearing	104	2 910 141 201	Hex Socket Head Cap Screw
17	1 610 210 210	O-Ring	105	2 914 551 188	Microencapsulated Screw
19	1 600 A01 4TX	Eccentric Shaft	106	2 914 551 189	Microencapsulated Screw
21	1 616 318 009	Cylindrical Gear	107	2 910 141 242	Hex Socket Head Cap Screw
22	1 616 328 036	Cylindrical Gear	108	2 603 490 023	Torx Oval-Head Screw
23	1 610 913 005	Needle-Roller Assembly	109	2 910 141 248	Hex Socket Head Cap Screw
24	1 615 500 437	Gear Cover	110	2 910 141 356	Hex Socket Head Cap Screw
26	1 610 910 092	Needle-Roller Bearing	111	1 613 414 024	Hex Screw
27	1 610 210 213	O-Ring	112	1 613 490 021	Torx Oval-Head Screw
29	1 610 910 097	Needle-Roller Bearing	119	1 611 110 D82	Warning Plate
35	1 610 210 211	O-Ring	135	1 611 110 H20	Reference Plate
37	1 600 A01 4T8	Guide Tube	139	1 610 508 050	Plug
38	1 600 A01 4U0	Supporting Disc	801	1 617 000 742	Motor Housing
39	1 610 290 103	Damping Ring	803	1 614 011 141	Armature
40	1 615 700 073	Intermediate Flange	825	1 617 000 727	Piston Assembly Group
41	1 610 210 008	O-Ring	834	1 617 000 728	Striker
42	1 600 A01 4TU	Striker Pin	837	1 600 A01 1ER	Guide Tube
44	1 618 045 026	Retaining Bracket	843	1 607 000 C8U	Toolholder
45	1 613 103 004	Locking Bolt	854	1 617 000 730	Switch Housing
46	2 917 760 187	Slotted Spring Pin	859	2 910 011 088	Socket head cap screw
47	1 900 210 172	O-Ring	871	1 601 11A 3H5	Nameplate
48	1 610 516 017	Sealing cap	872	1 617 000 731	Hammer Pipe
50	3 600 421 500	Protection Sleeve	879	1 614 652 001	Spiral Spring
51	1 610 703 057	Cord guard	881	1 613 490 005	Torx Oval-Head Screw
52	1 615 500 436	Fan Cover	882	1 610 151 007	Spring Lock Washer
53	1 615 500 415	Covering hood	883	1 617 000 425	Carbon-Brush Set
55	1 614 460 102	Power supply cord	890	1 617 000 743	Un. Flange-Mtd. Motor
56	1 610 703 011	Grommet	897	1 617 000 732	Wear and Tear Part Set
57	1 615 500 418	Switch Cover	898	1 615 430 015	Grease Tube
58	1 617 200 124	Switch			
59	1 615 700 069	Intermediate Plate			
61	1 615 700 059	Dust Protection			
62	1 612 026 153	Switch-Pawl			
63	1 615 132 124	Handle			
64	1 616 334 000	Rubber Torsion-Bar			
65	1 613 060 005	Toothed Shaft			
66	1 610 290 101	Backup ring			
67	2 916 660 023	Spring retaining ring			
68	1 613 465 001	Rubber Buffer			
69	1 615 700 070	Intermediate Plate			
70	1 615 132 125	Handle			
73	1 603 435 036	Tapping Screw			
74	2 916 160 010	Disc Spring			
75	1 614 614 009	Compression Spring			
76	1 611 302 016	Fastening Clamp			
77	1 615 500 431	Ventilation Grid			
85	1 614 336 045	Brush Holder			
85/96	1 614 448 037	Connecting Cable			
86	1 610 300 033	Bearing bolt			